

RedGum Super HDV 32000 Logsplitter

Illustrated Parts Listing (IPL)

RedGum Products

For more information contact your local RedGum Dealer

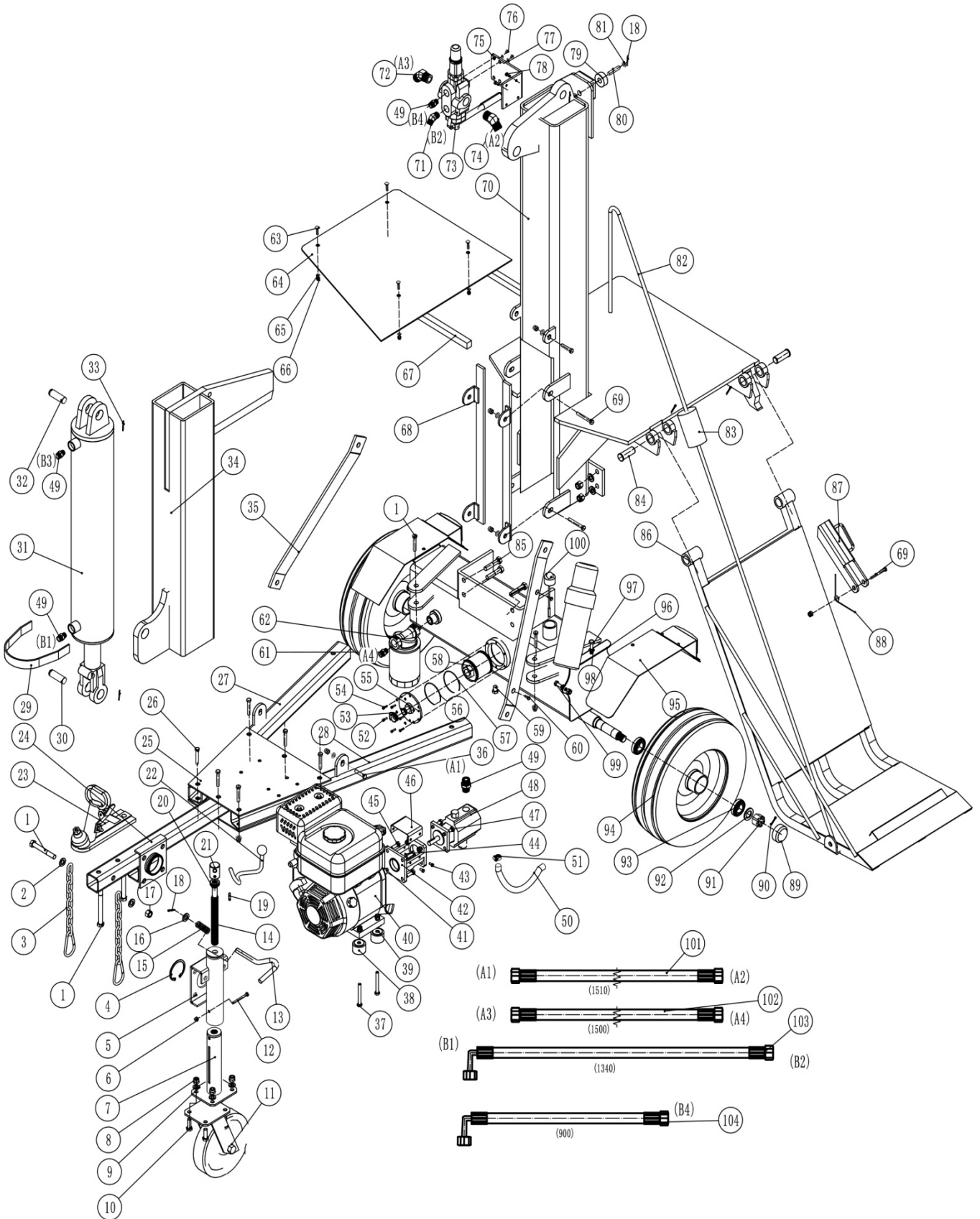
Visit: www.RedGumProducts.com.au

Phone: 1300 039 251



Follow us on Facebook: www.facebook.com/redgumproducts

Parts Drawing & Parts List



Ref#	Drawing No.	Description	Qty
1	GB/T5782-2000	Hex Bolt M12×90 / 88	3
2	GB/T95-2002	Flat Washer Φ12	21
3	WLFL-01	Chain Φ6	2
4	GB/T894.2-1986	Axial Spring Collar Φ62 65Mn	1
5	WLFL-02	Outer Pipe	1
6	GB/T 889.1-2000	Hex Lock Nut M6	3
7	WLFL-03	Inner Pipe	1
8	GB/T889.1-2000	Hex Lock Nut M10	8
9	GB/T95-2002	Flat Washer Φ10	10
10	GB/T5783-2000	Hex Bolt M10×30	4
11	WLFL-04	Jockey Wheel	1
12	GB/T 5782-2000	Hex Bolt M6×60	1
13	WLFL-05	Safety Pin	1
14	WLFL-06	Lift Screw	1
15	WLFL-07	Pressing Spring	1
16	GB/T95-2002	Flat Washer 13	1
17	GB/T889.1-2000	Hex Lock Nut M12	20
18	GB/T91-2000	Cotter Pin d 3.2×25	3
19	GB/T879.2-2000	Spring Column Pin d5×30	1
20	GB/T 301-1995	Thrust Ball Bearing 51102	1
21	WLFL-08	Handle Bushing	1
22	WLFL-09	Handle	1
23	WLFL-10	Coupler	1
24	WLFL-11	Tow bar	1
25	WLFL-12	Splint	2
26	GB/T5782-2000	Hex Bolt M12×80 / 88	6
27	WLFL-13	Pulling Rod	1
28	WLFL-14	Pulling Rod	1
29	WLFL-15	Cylinder Guard	1
30	WLFL-16	Pin Shaft	1
31	WLFL-17	Cylinder	1
32	WLFL-18	Pin Shaft	1
33	GB/T91-2000	Cotter Pin d 5×50	2
34	WLFL-19	Wedge	1
35	WLFL-20	Brace	1
36	GB/T5783-2000	Hex Bolt M12×35	6

Ref#	Drawing No.	Description	Qty
37	GB/T5782-2000	Hex Bolt M8×120 / 88	4
38	WLFL-21	Shock Pad Φ4025	4
39	GB/T5287-1985	Big Flat Washer Φ8 Q215	4
40	WLFL-22	Engine 6.5HP	1
41	WLFL-23	Engine Spacer	1
42	WLFL-24	Pump Holder	1
43	GB/T5783-2000	Hex Bolt M5×10	4
44	WLFL-25	Pump Flex Coupling	1
45		Engine Bolt	4
46	WLFL-26	Connector Cover	1
47	GB/T5783-2000	Hex Bolt M8×30	4
48	WLFL-27	Gear Pump	1
49	WLFL-28	Pump Connector	4
50	WLFL-29	Oil Outlet Hose	1
51	WLFL-30	Pipe Clamp	2
52	GB/T5783-2000	Hex Bolt M6×20	6
53	GB/T95-2002	Flat Washer Φ6	8
54	GB/T 93-1987	Spring Washer	6
55	WLFL-33	Flange	1
56	GB/T 3452.1-2005	O Ring D80×2.4	1
57	GB/T 3452.1-2005	O Ring D75×2.4	1
58	WLFL-34	Inner Filter	1
59	WLFL-35	Drain Plug	1
60	GB/T5783-2000	Hex Bolt M6×25	2
61	WLFL-36	Oil Return Hose Straight Connector	1
62	WLFL-37	External Filter	1
63	GB/T 823-85	Screw M8×35	4
64	WLFL-38	Wood Tray	1
65	GB/T95-2002	Flat Washer Φ8	12
66	GB/T 889.1-2000	Hex Lock Nut M8	8
67	WLFL-39	Wood Tray Support	2
68	WLFL-40	Cover Plate	2
69	GB/T5782-2000	Hex Bolt M12×60 / 88	3
70	WLFL-41	Beam	1
71	WLFL-42	Valve Right Angle Connector	1
72	WLFL-43	Oil Return Hose Right Angle Connector	1

Ref#	Drawing No.	Description	Qty
73	WLFL-44	Valve	1
74	WLFL-45	Oil Inlet Hose Right Angle Connector	1
75	WLFL-46	Fixed Plate	1
76	GB/T70.2-2000	Screw M8×15	4
77	GB/T 93-1987	Spring Washer 65Mn	8
78	GB/T5783-2000	Hex Bolt M8×20	4
79	WLFL-47	Pulley	1
80	WLFL-48	Shaft	1
81	GB/T95-2002	Flat Washer Φ14	2
82	WLFL-49	Wire	1
83	WLFL-50	Counterweight	1
84	WLFL-51	Shaft	2
85	GB/T5782-2000	Hex Bolt M12×45 / 88	4
86	WLFL-52	Lifting Plate	1
87	WLFL-53	Handle	1
88	WLFL-54	Torsion Spring	1
89	WLFL-55	Dust Cover	1
90	GB/T 91-2000	Cotter Pin d4×40	4
91	GB/T 6181-1986	Slotted Nut M20×1.5	2
92	GB/T95-2002	Flat Washer Φ20	2
93		Bearing	4
94		Tire	2
95	WLFL-56	Protection Fender	2
96	WLFL-57	Oil Tank	1
97	GB/T5783-2000	Hex Bolt M10×20	2
98	GB/T 93-1987	Spring Washer 10	2
99	GB/T5782-2000	Hex Bolt M10×25 / 88	4
100	WLFL-58	Filler Plug	1
101	WLFL-59	Oil Inlet Hose	1
102	WLFL-60	Oil Return Hose	1
103	WLFL-61	Cylinder Hose B2	1
104	WLFL-62	Cylinder Hose B4	1