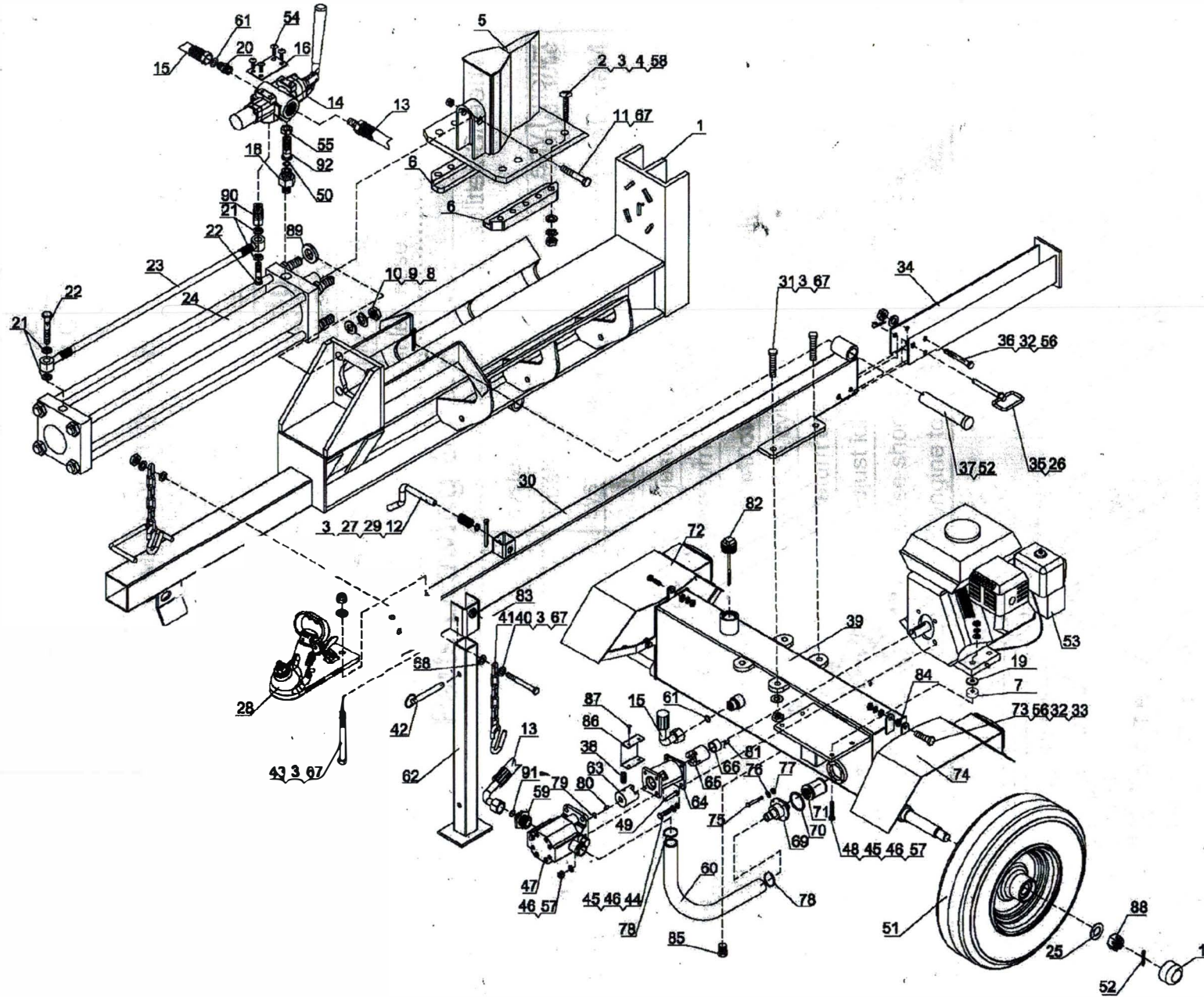


Parts Drawing & Parts List



Parts Drawing & Parts List

Ref#	Drawing No.	Description	Qty
1	LSA22-01000	Beam Weldment	1
2	919904-12055-DX12.9	Screw M12x55	10
3	9301-12000-DX	Flat Washer Ø12	19
4	9306-12000-DX	Lock Washer Ø12	10
5	LSA22-03100	Wedge Slide	1
6	LSA22-03001	Plate	2
7	LSP25-00025	Polyurethane Block	4
8	9306-18000-DX	Lock Washer Ø18	4
9	9301-18000-DX	Flat Washer Ø18	4
10	9201-18000-DX	Hex Nut M18	4
11	9101-12065-DX8.8	Hex Bolt M12x65	1
12	9404-03030-DX	Cotter Pin 3x30	1
13	LS22T-00001	Hydraulic Hose (Valve-Pump)	1
14	M1V25A-00001	Control Valve	1
15	LSH22-00007	Hydraulic Hose (Valve-Oil Tank)	1
16	M1V25A-00002	Plate	1
17	LSP25-00009-DX	Axle Cap	2
18	LSA22-00009-DX	Front Cover Connector	1
19	9302-10000-DX	Big Flat Washer Ø10	4
20	LSH22-00012-DX	Oil Return Pipe Connector	1
21	9905-00014	Combination Washer Ø14	4
22	LSH22-00005-DX	Bolt Connector	2
23	LSH22-00006	Hydraulic Hose (Valve-Cylinder)	1
24	LS22T-01000	Cylinder	1
25	9301-20000-DX	Flat Washer Ø20	2
26	LSP25-00012-DX	R Pin	1
27	LSP25-00008-DX	Safety Pin	1
28	Z105	50mm Coupler	1
29	LSP25-00003-DX	Spring	1
30	LSA22-02000	Tow Bar	1
31	9101-12040-DX8.8	Hex Bolt M12x40	4
32	9206-10000-DX	Nylon Lock Nut M10	7
33	9306-10000-DX	Lock Washer Ø10	6
34	LSA22-15000	Rear Support Leg	1
35	LSA22-16000	Hitch Pin	1

Parts Drawing & Parts List

Ref#	Drawing No.	Description	Qty
36	9101-10075-DX8.8	Hex Bolt M10x75	1
37	LSA22-00015	Hinge Pin	1
38	9109-06010-FH	Screw M6x10	1
39	LSH22-03000	Oil Tank	1
40	9101-12090-DX8.8	Hex Bolt M12x90	1
41	LSA22-13000	Safety Chain with Hook	2
42	LSA22-14000	Pin	1
43	9101-120130-DX8.8	Hex Bolt M12x130	2
44	9101-08025-DX8.8	Hex Bolt 8x25	4
45	9301-08000-DX	Flat Washer Ø8	8
46	9306-08000-DX	Lock Washer Ø8	12
47	LSP25-10007	Gear Pump	1
48	9101-08075-DX8.8	Hex Bolt M8x75	4
49	9101-08030-DX8.8	Hex Bolt M8x30	4
50	9901-16x2.5	O Ring Ø16x2.5	1
51	LSP25-14000	Wheel / Tire Assembly	2
52	9404-04036-DX	Cotter Pin 4x36	3
53	LSP25-10001	Engine 6.5HP	1
54	9110-08010-DX	Screw M8x10	4
55	LSP25-17002	Nut	1
56	9301-10000-DX	Flat Washer Ø10	7
57	9206-08000-DX	Nylon Lock Nut M8	8
58	9210-12000-DX	Thick Lock Nut M12	10
59	LSH22-08001	Connector	1
60	LSA22-00007	Oil Pipe	1
61	9901-14x2.5	O ring Ø14x2.5	2
62	LSA22-12000	Front Support Leg	1
63	LSP25-10003	Gear Pump Connector	1
64	LSP25-10005	Gear Pump Stand	1
65	LSP25-10002	Engine Connector	1
66	LSP25-10004	Engine Bushing	1
67	9206-12000-DX	Hex Lock Nut M12	8
68	939902-12000-DX	Thick Flat Washer Ø12	2
69	LSP25-15000	Filter Fix Plate	1
70	LSP25-00021	Rubber Washer	1

Parts Drawing & Parts List

Ref#	Drawing No.	Description	Qty
71	LSP25-00022	Filter	1
72	LSA22-17000	Left Protection Fender	1
73	9101-10030-DX8.8	Hex Bolt M10x30	6
74	LSA22-18000	Right Protection Fender	1
75	9101-06020-DX8.8	Hex Bolt M6x20	6
76	9306-06000-DX	Lock Washer Ø6	6
77	9301-06000-DX	Flat Washer Ø6	6
78	LSA22-00017-BXG	Clamp	2
79	LSP25-10008-FH	Steel Wire Snap Ring for Shaft	1
80		Flat Key	1
81		Flat Key 5x25	1
82	LSP25-13000	Oil Cap	1
83	LSA22-00023	Handle Wheel	1
84	LSA22-00021	Rubber Washer	6
85	LSP25-00010	Oil Plug	1
86	LSP25-10006	Connector Cover	1
87	9101-05010-DX8.8	Hex Bolt M5x10	4
88	LSP25-00020-FH	Slotted Nut M20	2
89	LSA22-00024	Adjustable Washer	
90	LSH22-00004-DX	Valve A Joiner	1
91	9901-11.2x2.4	O Ring Ø11.2x2.4	1
92	LSP25-17001	Valve B Joiner	1