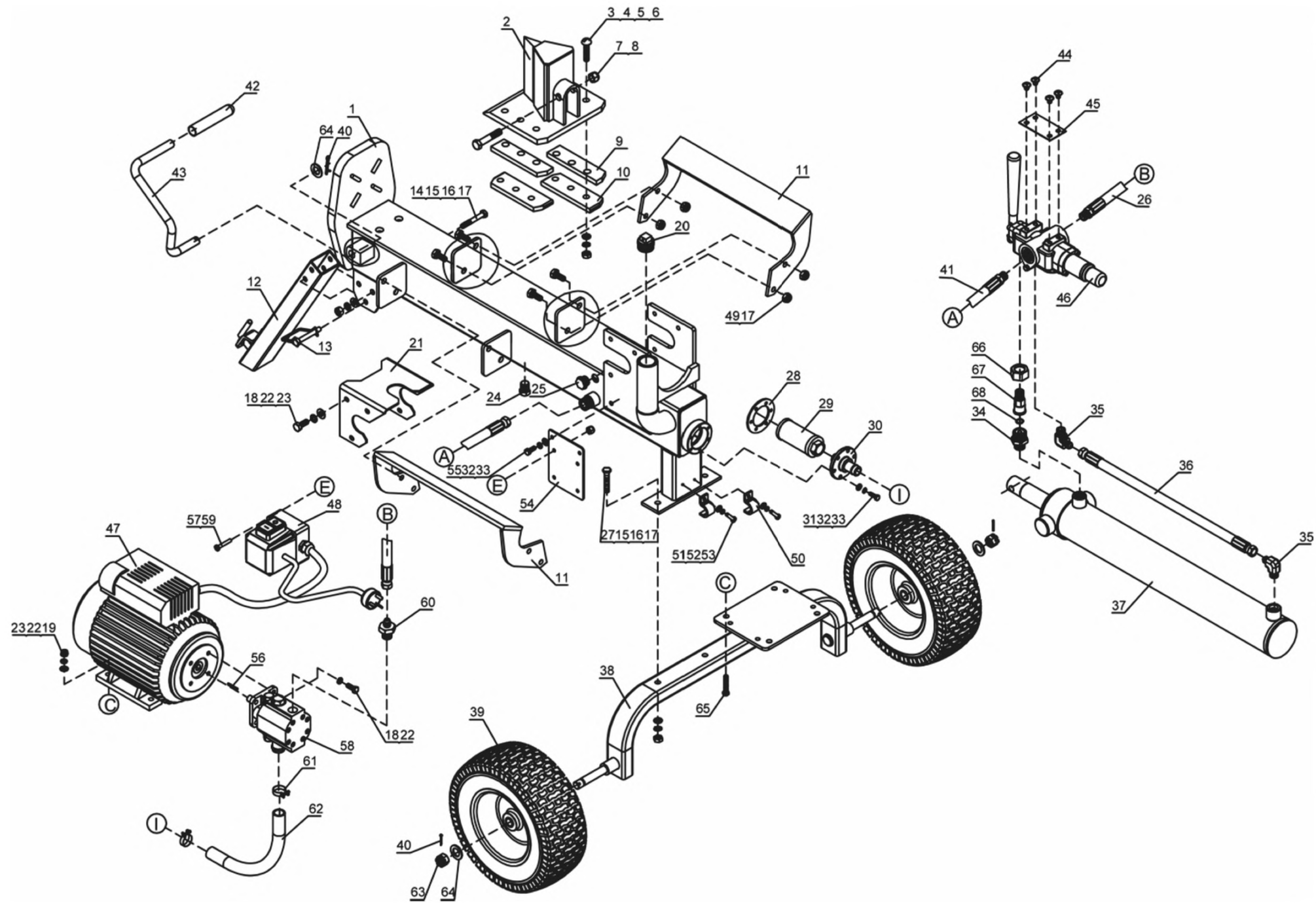


# **RedGum** Products

## **RedGum Electric Logsplitter Illustrated Parts List (IPL)**



Parts Drawing & Parts List

| <b>Ref#</b> | <b>Drawing No.</b> | <b>Description</b>              | <b>Qty</b> |
|-------------|--------------------|---------------------------------|------------|
| 1           | LSE12-01000        | Beam                            | 1          |
| 2           | LSE12-02000        | Wedge                           | 1          |
| 3           | 9119-12055-DX12.9  | Screw M12x55                    | 6          |
| 4           | 9301-12000-DX      | Flat Washer Ø12                 | 6          |
| 5           | 9306-12000-DX      | Lock Washer Ø12                 | 6          |
| 6           | 9210-12000-DX      | Hex Thick Nut M12               | 6          |
| 7           | 9101-12065-DX8.8   | Hex Bolt M12x65                 | 1          |
| 8           | 9206-12000-DX      | Nylon Lock Nut M12              | 1          |
| 9           | LSE12-00001        | Wedge Spacer                    | 2          |
| 10          | LSE12-00002        | Wedge Plate                     | 2          |
| 11          | LSE12-05000        | Log Cradle                      | 2          |
| 12          | LGS13-03000        | Front Support Leg               | 1          |
| 13          | LSP25-16000        | Lock Pin A                      | 1          |
| 14          | 9101-10090-DX8.8   | Hex Bolt M10x90                 | 1          |
| 15          | 9301-10000-DX      | Flat Washer Ø10                 | 3          |
| 16          | 9306-10000-DX      | Lock Washer Ø10                 | 3          |
| 17          | 9206-10000-DX      | Nylon Lock Nut M10              | 11         |
| 18          | 9101-08020-DX8.8   | Hex Bolt M8x20                  | 10         |
| 19          | 9206-08000-DX      | Nylon Lock Nut M8               | 4          |
| 20          | LSP25-13001        | Oil Bolt                        | 1          |
| 21          | LSE12-00003        | Cylinder Cover                  | 1          |
| 22          | 9306-08000-DX      | Lock Washer Ø8                  | 14         |
| 23          | 9301-08000-DX      | Flat Washer Ø8                  | 10         |
| 24          | LSP25-00010-DX     | Oil Plug                        | 1          |
| 25          | 9702-20000         | Oil Scale                       | 1          |
| 26          | NL12-00010         | Oil Inlet Pipe                  | 1          |
| 27          | 9101-10055-DX8.8   | Hex Bolt M10x55                 | 2          |
| 28          | NL12-00011         | Seal Ring                       | 1          |
| 29          | NL12-00012         | Filter                          | 1          |
| 30          | NL12-04000-DX      | Filter Mounting Plate           | 1          |
| 31          | 9101-06020-DX8.8   | Hex Bolt M6x20                  | 6          |
| 32          | 9306-06000-DX      | Lock Washer Ø6                  | 8          |
| 33          | 9301-06000-DX      | Flat Washer Ø6                  | 8          |
| 34          | LSA22-00009-DX     | Front Cover Connector           | 1          |
| 35          | N900-00014-DX      | Oil Inlet Joint                 | 2          |
| 36          | LSE12-00004        | Hydraulic Hose (Valve-Cylinder) | 1          |
| 37          | LSE12-04000        | Cylinder                        | 1          |

| Ref# | Drawing No.      | Description               | Qty |
|------|------------------|---------------------------|-----|
| 38   | LSE12-03000      | Wheel Stand               | 1   |
| 39   | NW01-11000       | Wheel                     | 2   |
| 40   | 9404-04030-DX    | Cotter Pin 4x30           | 3   |
| 41   | NL12-00019       | Oil Return Pipe           | 1   |
| 42   | NL12J-00002      | Handle Grip               | 1   |
| 43   | NL12J-00001-DX   | Handle Bar                | 1   |
| 44   | 9110-08010-DX    | Screw M8x10               | 4   |
| 45   | LSA22-00025      | Plate                     | 1   |
| 46   | NL12-00018       | Control Valve             | 1   |
| 47   | LSE22DA-01001    | Electric Motor            | 1   |
| 48   | LSE12DM-01001    | Switch                    | 1   |
| 49   | 9101-10025-DX8.8 | Hex Bolt M10x25           | 8   |
| 50   | LSE22D-00002     | Plastic Clip              | 2   |
| 51   | 9110-03010-DX    | Screw M3x10               | 2   |
| 52   | 9306-03000-DX    | Lock Washer Ø3            | 2   |
| 53   | 9301-03000-DX    | Flat Washer Ø3            | 2   |
| 54   | LSE22DA-00001    | Switch Box Mounting Plate | 1   |
| 55   | 9101-06012-DX8.8 | Hex Bolt M6x12            | 2   |
| 56   | LSP25-10009      | Gear Pump Flat Key        | 1   |
| 57   | 9110-05050-DX    | Screw M5x50               | 2   |
| 58   | LSE12D-02001     | Gear Pump                 | 1   |
| 59   | 9206-05000-DX    | Hex Lock Nut M5           | 2   |
| 60   | N920-00010-DX    | Connector Z1/2-M14*1.5    | 1   |
| 61   | NL12-00013       | Clamp                     | 2   |
| 62   | NL12-00008       | Oil Pipe                  | 1   |
| 63   | 9205-16000-DX8.8 | Hex Slotted Thin Nut      | 2   |
| 64   | 9301-16000-DX    | Flat Washer Ø16           | 3   |
| 65   | 9101-08035-DX8.8 | Hex Bolt M8x35            | 4   |
| 66   | LSP25-17002      | Nut                       | 1   |
| 67   | NL12-00007-DX    | Valve B Joint             | 1   |
| 68   | 9901-16×2.5      | O Ring                    | 1   |