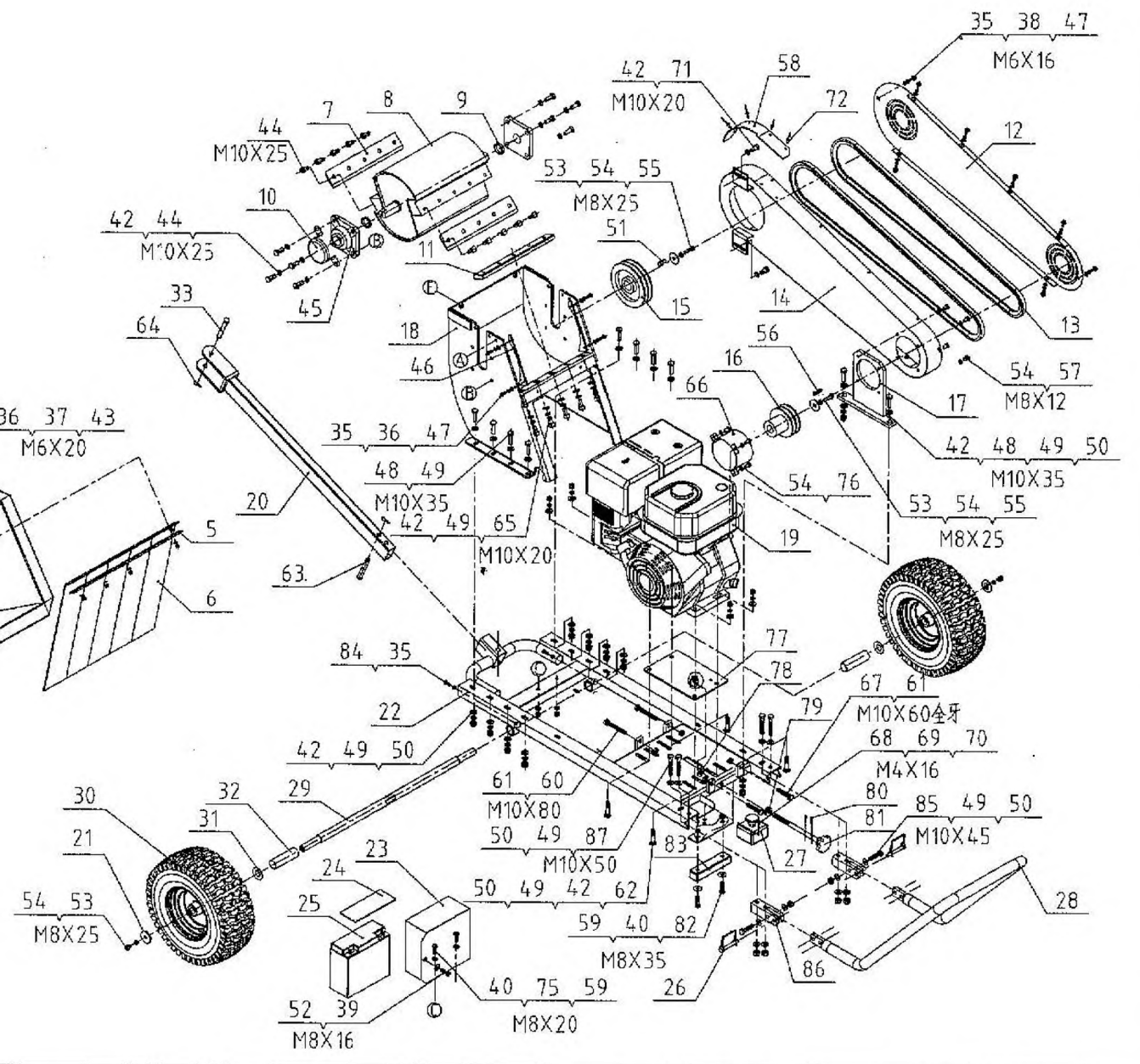
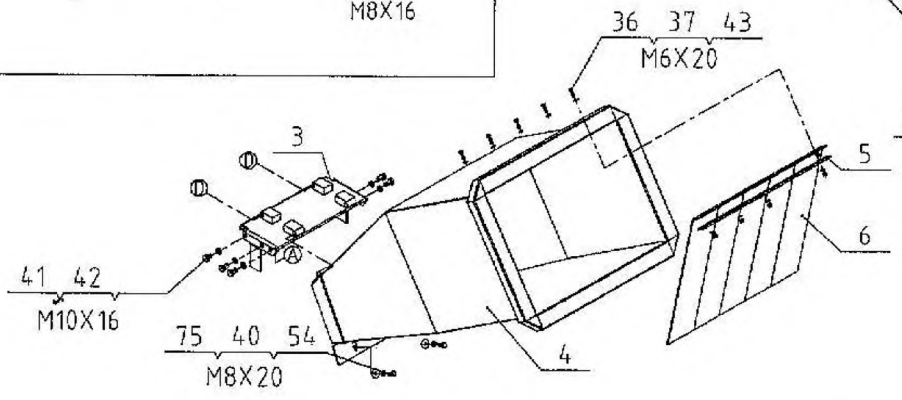
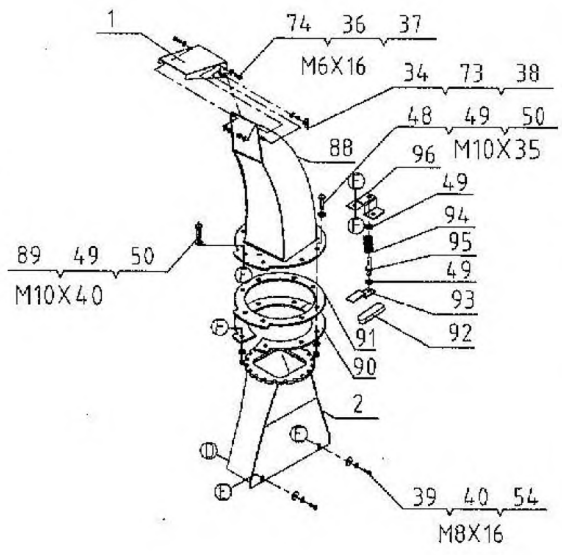


RedGum Products

RedGum GX390 Chipper Illustrated Parts List (IPL)



Ref#	Drawing No.	Description	Qty
1	CPR150-00003	Frame	1
2	CPR150B-01000	Outlet Hopper Assembly (Nether)	1
3	CPR150-03000	Roller Cover plate Assembly	1
4	CPR150-08000	Inlet Hopper Assembly	1
5	CPR150-00008	Mound Layer	1
6	CPR150-00014	Inlet Hopper Rubber	1
7	CPR150-00006	Blade	2
8	CPR150-01000	Roller Assembly	1
9	CPR150-00007-DX	Spacer	2
10	CPR150-00016	End Cap	1
11	CPR150-00005	Striker Plate	1
12	CPR150-00013	Belt Pulley Shroud	1
13	SPA1782	Triangle Belt	2
14	CPR150-06000	Belt Pulley Shroud Assembly	1
15	CPR150-00010	Large Belt Pulley	1
16	CPR150-00012	Small Belt Pulley	1
17	CPR150-00017	Shield Mounting Plate Assembly	1
18	CPR150-02000	Roller Base Assembly	1
19	YQ-JD15AE-H	15HP Engine	1
20	CPR150-05000	Tow Bar	1
21	CPR150-00020-DX	Tire Gasket	2
22	CPR150-04000	Base	1
23	CPR150-13000	Battery Box	1
24	CPR150-00015	Rubber Cushion	1
25		Battery 12V 18AH	1
26	T400-40000	Lock Pin	2
27	CPR150-15000	Scram	1
28	CPR150B-03000	Handle	1
29	CPR150-00018-DX	Wheel Axle	1
30	CPR150-10000	Wheel Assembly	2
31	9301-20000-DX	Flat Washer Ø20	2
32	CPR150-00019-DX	Bushing	2
33	CPR150-00002-DX	Hitch Pin	1
34	N510-00019	Wing Nut M6	1
35	9101-06016-DX8.8	Hex Bolt M6x16	14
36	9301-06000-DX	Flat Washer Ø6	18
37	9206-06000-DX	Nylon Lock Bolt M6	7

PARTS LIST

Ref#	Drawing No.	Description	Qty
39	9101-08016-DX8.8	Hex Bolt M8x16	3
40	9302-08000-DX	Big Flat Washer Ø8	10
41	9101-10016-DX8.8	Hex Bolt M10x16	5
42	9306-10000-DX	Lock Washer Ø10	34
43	9101-06020-DX8.8	Hex Bolt M6x20	5
44	9101-10025-DX8.8	Hex Bolt M10x25	18
45	GB/T7810-1995	Bearing	2
46	CPR150-00004	Blade Protector	2
47	9306-06000-DX	Lock Washer Ø6	12
48	9101-10035-DX8.8	Hex Bolt M10x35	16
49	9301-10000-DX	Flat Washer Ø10	59
50	9206-10000-DX	Nylon Lock Nut M10	28
51	GB/T1096-2003	Key	1
52	9301-08000-DX	Flat Washer Ø8	1
53	9101-08025-DX8.8	Hex Bolt M8x25	4
54	9306-08000-DX	Lock Flat Ø8	15
55	M010-00009-DX	Big Flat Washer Ø8	2
56	GB/T1096-2003	Key	1
57	9101-08012-DX8.8	Hex Bolt M8x12	4
58	CPR150-00009	Baffle	1
59	9206-08000-DX	Nylon Lock Nut m8	4
60	9101-10080-DX8.8	Hex Bolt M10x80	2
61	9201-10000-DX	Hex Nut M10	4
62	9114-10050-DX	Bolt M10x50	4
63	CPR150-00001-DX	Hitch Pin	1
64	N021-00004	R Ring Ø3	2
65	9105-10020-DX8.8	Inner Hex Screw M10x20	5
66	CPR150-14000	Engine Protector Assembly	1
67	9101-10060-DX8.8	Hex Bolt M10x60	2
68	9107-04016-DX	Screw M4X16	2
69	9301-04000-DX	Flat Washer Ø4	2
70	9206-04000-DX	Nylon Lock Nut M4	2
71	9101-10020-DX8.8	Hex Bolt M10x20	2
72	9503-05010-DX	Blind Rivet	4
73	9315-06000-DX	Lock Washer	1
74	9110-06016-DX	Screw M6x16	2
75	9101-08020-DX8.8	Hex Bolt M8x20	4

PARTS LIST

Ref#	Drawing No.	Description	Qty
77	CPR150-11000	Engine Transition Plate	1
78	9301-12000-DX	Flat Washer Ø12	1
79	9608-26-12-9	Single Direction Thrust Ball Bearing	1
80	9402-04022-FH	Elastic Cylindrical Pin	2
81	CPR150-12000	Hand Wheel	1
82	9101-08035-DX8.8	Hex Bolt M8x35	2
83	CPR150-00011	Suspension Block	1
84	9201-06000-DX	Hex Nut M6	2
85	9101-10045-DX8.8	Hex Bolt M10x45	2
86	CPR150B-00005-DY	Connecting Shaft	2
87	9101-10050-DX8.8	Hex Bolt M10x50	4
88	CPR150B-02000	Outlet Hopper Assembly (Upper)	1
89	9101-10040-DX8.8	Hex Bolt M10x40	2
90	CPR150B-00001	Connecting Flange	2
91	CPR150B-00003	Active Flange	1
92	N560-00019	Handle Sleeve	1
93	CPR150B-00007	Handle	1
94	NC65-00023-DX	Spring	1
95	CPR150B-00002	Connecting Pin	1
96	CPR150B-00004	U-Style Lid	1