

RedGum Electric Log Splitter

Illustrated Parts Listing (IPL)

RedGum Products

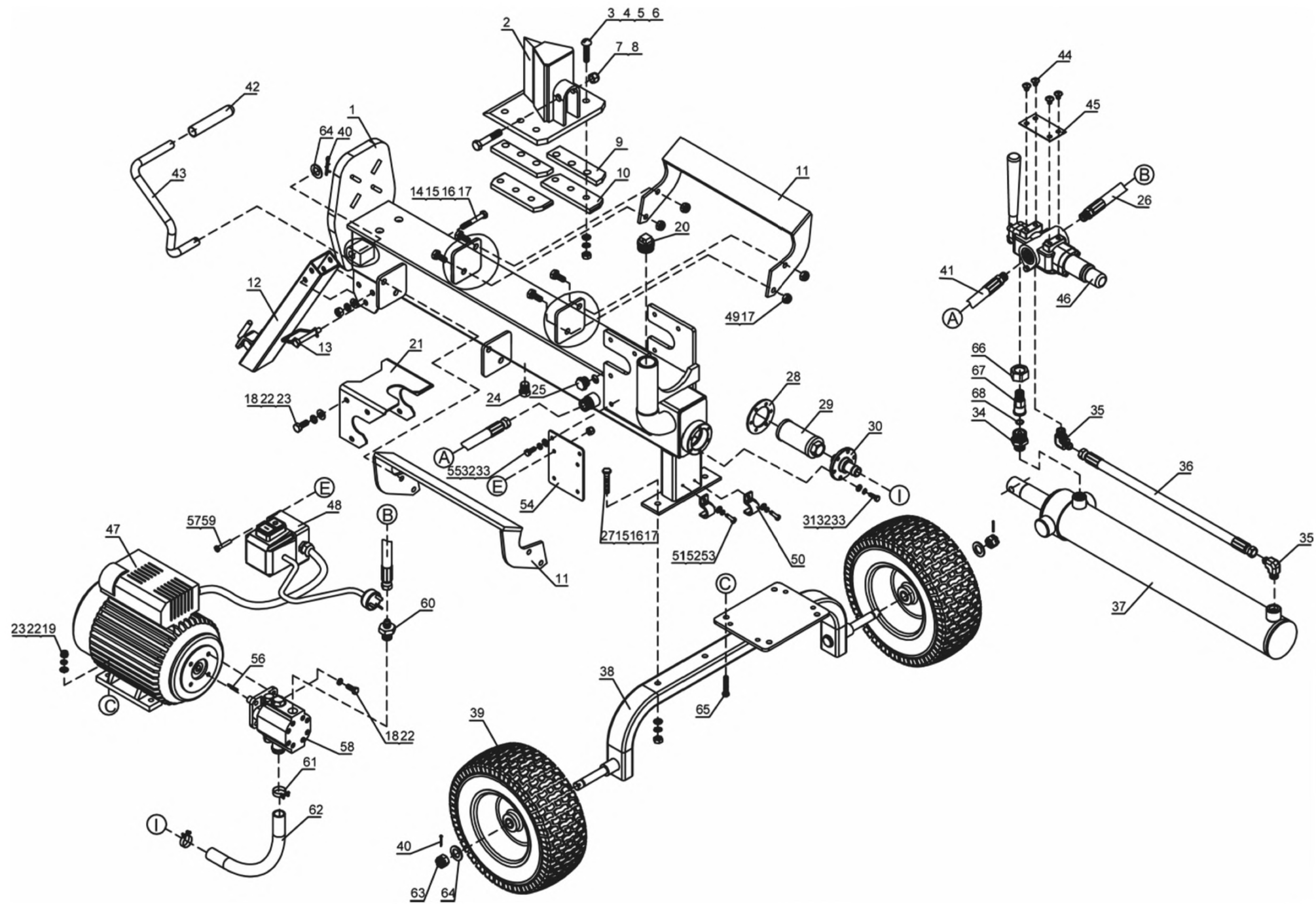
For more information contact your local RedGum Dealer

Visit: www.RedGumProducts.com.au

Phone: 1300 039 251



Follow us on Facebook: www.facebook.com/redgumproducts



Ref#	Drawing No.	Description	Qty
1	LSE12-01000	Beam	1
2	LSE12-02000	Wedge	1
3	9119-12055-DX12.9	Screw M12x55	6
4	9301-12000-DX	Flat Washer Ø12	6
5	9306-12000-DX	Lock Washer Ø12	6
6	9210-12000-DX	Hex Thick Nut M12	6
7	9101-12065-DX8.8	Hex Bolt M12x65	1
8	9206-12000-DX	Nylon Lock Nut M12	1
9	LSE12-00001	Wedge Spacer	2
10	LSE12-00002	Wedge Plate	2
11	LSE12-05000	Log Cradle	2
12	LGS13-03000	Front Support Leg	1
13	LSP25-16000	Lock Pin A	1
14	9101-10090-DX8.8	Hex Bolt M10x90	1
15	9301-10000-DX	Flat Washer Ø10	3
16	9306-10000-DX	Lock Washer Ø10	3
17	9206-10000-DX	Nylon Lock Nut M10	11
18	9101-08020-DX8.8	Hex Bolt M8x20	10
19	9206-08000-DX	Nylon Lock Nut M8	4
20	LSP25-13001	Oil Bolt	1
21	LSE12-00003	Cylinder Cover	1
22	9306-08000-DX	Lock Washer Ø8	14
23	9301-08000-DX	Flat Washer Ø8	10
24	LSP25-00010-DX	Oil Plug	1
25	9702-20000	Oil Scale	1
26	NL12-00010	Oil Inlet Pipe	1
27	9101-10055-DX8.8	Hex Bolt M10x55	2
28	NL12-00011	Seal Ring	1
29	NL12-00012	Filter	1
30	NL12-04000-DX	Filter Mounting Plate	1
31	9101-06020-DX8.8	Hex Bolt M6x20	6
32	9306-06000-DX	Lock Washer Ø6	8
33	9301-06000-DX	Flat Washer Ø6	8
34	LSA22-00009-DX	Front Cover Connector	1
35	N900-00014-DX	Oil Inlet Joint	2
36	LSE12-00004	Hydraulic Hose (Valve-Cylinder)	1
37	LSE12-04000	Cylinder	1

Ref#	Drawing No.	Description	Qty
38	LSE12-03000	Wheel Stand	1
39	NW01-11000	Wheel	2
40	9404-04030-DX	Cotter Pin 4x30	3
41	NL12-00019	Oil Return Pipe	1
42	NL12J-00002	Handle Grip	1
43	NL12J-00001-DX	Handle Bar	1
44	9110-08010-DX	Screw M8x10	4
45	LSA22-00025	Plate	1
46	NL12-00018	Control Valve	1
47	LSE22DA-01001	Electric Motor	1
48	LSE12DM-01001	Switch	1
49	9101-10025-DX8.8	Hex Bolt M10x25	8
50	LSE22D-00002	Plastic Clip	2
51	9110-03010-DX	Screw M3x10	2
52	9306-03000-DX	Lock Washer Ø3	2
53	9301-03000-DX	Flat Washer Ø3	2
54	LSE22DA-00001	Switch Box Mounting Plate	1
55	9101-06012-DX8.8	Hex Bolt M6x12	2
56	LSP25-10009	Gear Pump Flat Key	1
57	9110-05050-DX	Screw M5x50	2
58	LSE12D-02001	Gear Pump	1
59	9206-05000-DX	Hex Lock Nut M5	2
60	N920-00010-DX	Connector Z1/2-M14*1.5	1
61	NL12-00013	Clamp	2
62	NL12-00008	Oil Pipe	1
63	9205-16000-DX8.8	Hex Slotted Thin Nut	2
64	9301-16000-DX	Flat Washer Ø16	3
65	9101-08035-DX8.8	Hex Bolt M8x35	4
66	LSP25-17002	Nut	1
67	NL12-00007-DX	Valve B Joint	1
68	9901-16×2.5	O Ring	1