

RedGum GX200 Deluxe Log Splitter

Illustrated Parts Listing (IPL)

RedGum Products

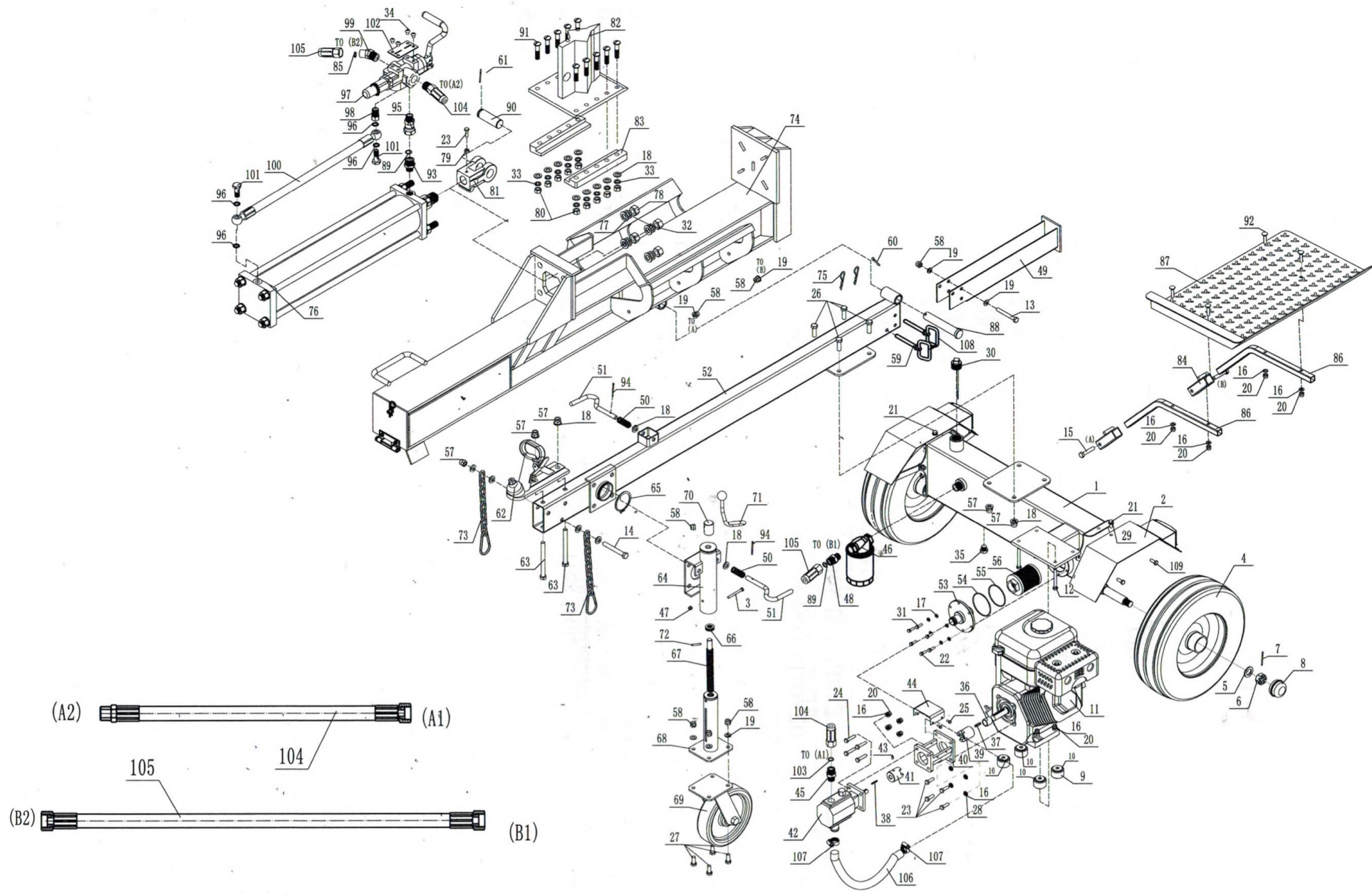
For more information contact your local RedGum Dealer

Visit: www.RedGumProducts.com.au

Phone: 1300 039 251



Follow us on Facebook: www.facebook.com/redgumproducts



(A2) (A1)

105 104

(B2) (B1)

(B1)

Parts Drawing & Parts List

Ref#	Drawing No.	Description	Qty
1	HZ01001-01-100	Oil Tack	1
2	HZTY-042-000	Right and Left Protection Fender	2
3	GB/T 5782-2000	Hex bolt M6×60	1
4	HZTY-070-001	Tire/Wheel Assembly	2
5	GB/T 95-2002	Flat Washer Ø20	2
6	GB/T 6181-1986	Slotted Nut M20	2
7	GB/T 91-2000	Cotter Pin 4×40	2
8	HZTY-070-002	Axle Cap	2
9	HZTY-051	Block Ø40×25	4
10	GB/T5287-1985	Big Flat Washer Ø10	4
11	HZTY-068	Engine	1
12	GB/T5782-2000	Hex Bolt M8×70	4
13	GB/T5782-2000	Hex Bolt M10×80	1
14	GB/T5782-2000	Hex Bolt M12×90	1
15	GB/T5782-2000	Hex Bolt M10×50	2
16	GB/T95-2002	Flash Washer Ø8	16
17	GB/T95-2002	Flash Washer Ø6	6
18	GB/T95-2002	Flash Washer Ø12	22
19	GB/T95-2002	Flash Washer Ø10	14
20	GB/T889.1-2000	Hex Lock nut M8	12
21	GB/T5783-2000	Hex Bolt M10×20	6
22	GB/T5783-2000	Hex Bolt M6×20	6
23	GB/T5783-2000	Hex Bolt M8×25	5
24	GB/T5783-2000	Hex Bolt M8×35	4
25	GB/T5783-2000	Hex Bolt M5×10	4
26	GB/T5783-2000	Hex Bolt M12×35	4
27	GB/T5783-2000	Hex Bolt M10×25	4
28	GB/T 93-1987	Spring Washer Ø8	4
29	GB/T 93-1987	Spring Washer Ø10	2
30	HZTY-002-000	Oil Plug	1
31	GB/T 93-1987	Spring Washer Ø6	6
32	GB/T 93-1987	Spring Washer Ø18	4
33	GB/T 93-1987	Spring Washer Ø12	10
34	GB/T70.2-2000	Screw M8×10	4
35	HZTY-003	Drain Plug	1
36	HZTY-046	Engine Bushing	1

Ref#	Drawing No.	Description	Qty
37	GB/T 1096-2003	Flat Key 5×5×25	1
38	GB/T 1096-2003	Flat Key 3×3×25	1
39	HZTY-056	Engine Connector	1
40	HZTY-075	Gear Pump Stand	1
41	HZTY-055	Gear Pump Connector	1
42	HZTY-066	Gear Pump	1
43	GB/T78-2000	Lock Bolt M6×10	1
44	HZTY-040	Connector Cover	1
45	HZTY-062	Gear Pump Joint	1
46	HZTY-001	Outer Filter	1
47	GB/T 889.1-2000	Hex Lock NutM8	1
48	HZTY-060	Oil Return Joint	1
49	HZTY-038-000	Rear Support Leg	1
50	HZTY-037-002	Spring	2
51	HZTY-037-003	Safety Pin	2
52	HZ01001-02-000	Tow Bar	1
53	HZTY-004-000	Flange	1
54	GB/T 3452.1-2005	O Ring Ø80×2.4	1
55	GB/T 3452.1-2005	O Ring Ø75×2.4	1
56	HZTY-005	Filter	1
57	GB/T889.1-2000	Hex Lock Nut M12	7
58	GB/T889.1-2000	Hex Lock Nut M10	9
59	HZTY-069	Hitch Pin	1
60	GB/T91-2000	Cotter Pin Ø5×45	1
61	GB/T91-2000	Cotter Pin Ø4×45	1
62	HZTY-065	Coupler Ø50	1
63	GB/T5782-2000	Hex Bolt M12×130	2
64	HZTY-037-200	Outer Bushing	1
65	GB/T894.2-1986	Steel Wire Snap Ring for Shaft Ø63	1
66	GB/T 301-1995	Thrust Ball Bearing	1
67	HZTY-037-007	Lift Screw	1
68	HZTY-037-100	Lift Tube	1
69	HZTY-037-001	Caster Wheel	1
70	HZTY-037-006	Jockey Wheel Handle Bushing	1
71	HZTY-037-005	Jockey Wheel Handle	1
72	GB/T879.2-2000	Round Pin	1
73	HZTY-053	Safety Chain with Hook	2
74	HZ01001-03-000	Beam	1

Ref#	Drawing No.	Description	Qty
75	HZTY-054	R Pin Ø3×55	3
76	HZTY-039-000	Cylinder	1
77	GB/T95-2002	Flat Washer Ø18	4
78	GB/T41-2000	Hex Nut M18	4
79	GB/T41-2000	Hex Nut M8	1
80	GB/T 41-2000	Hex Thick Nut M12	10
81	HZTY-039-007	Piston Rod Joint	1
82	HZTY-041-000	Wedge Slide	1
83	HZTY-047	Connecting Plate	2
84	HZTY-049-000	Right and Left Square Tube	2
85	GB/T 3452.1-2005	O Ring 22×2.4	1
86	HZTY-048	Wood Tray Frame	2
87	HZTY-0050	Wood Tray	1
88	HZTY-045	Hinge Pin	1
89	GB/T 3452.1-2005	O Ring 20×2.4	2
90	HZTY-044	Wedge Pin	1
91	HZTY-076	Screw M12×55	10
92	GB/T 823-85	Screw M8×35	4
93	HZTY-061	Cylinder Connector	1
94	GB/T91-2000	Cotter Pin	2
95	HZTY-074	Straight Joint	1
96	GB/T982-77	Combination Washer Ø14	4
97	HZTY-072	Control Valve	1
98	HZTY-064	Hydraulic Hose Connector	1
99	HZTY-073	Obtuse Angle Joint	1
100	HZTY-057	Hydraulic Hose (Valve - Cylinder)	1
101	HZTY-063	Bolt Connector M14×1.5	2
102	HZTY-043	Valve Operation	1
103	GB/T 3452.1-2005	O Ring 16×2.4	1
104	HZTY-059	Hydraulic Hose (Pump-Valve)	1
105	HZTY-058	Hydraulic Hose (Valve-Oil Tank)	1
106	HZTY-052	Bottom Hose	1
107	HZTY-067	Clamp	2
108	HZTY-080	Cotter pin	1
109	GB/T5783-2000	Hex Bolt M10×25	4