

The RedGum Splitter

Illustrated Parts Listing (IPL)

RedGum Products

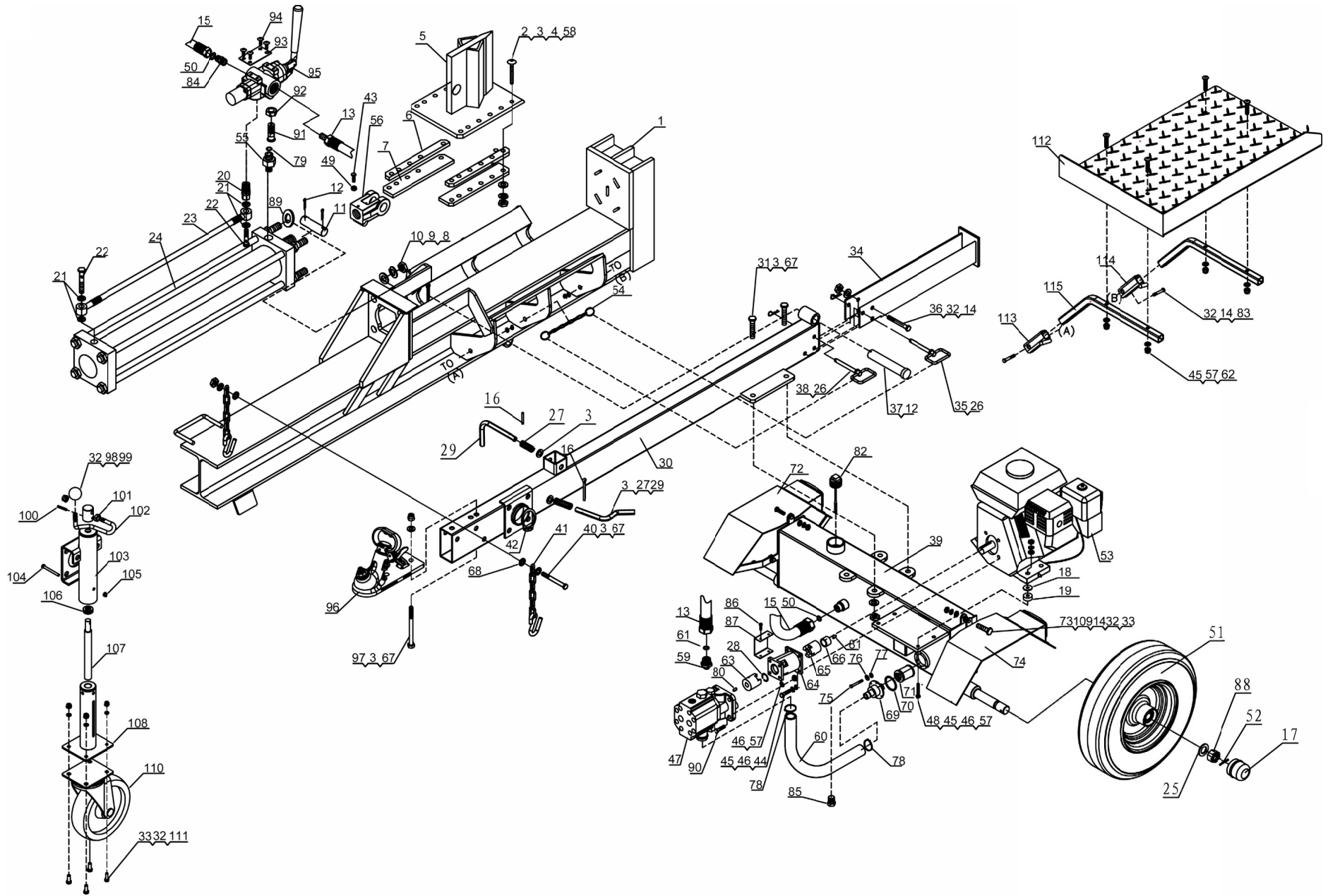
For more information contact your local RedGum Dealer

Visit: www.RedGumProducts.com.au

Phone: 1300 039 251



Follow us on Facebook: www.facebook.com/redgumproducts



Parts Drawing & Parts List

Ref#	Drawing No.	Description	Qty
1	LSH22-01000	Beam Weldment	1
2	9117-12055-DX10.9	Screw M12x55	12
3	9301-12000-DX	Flat Washer Ø12	22
4	9210-12000-DX	Thick Nut M12	12
5	LSH22-04000	Wedge Slide	1
6	LSH22-00002-DY	Keeper Spacer	2
7	LSH22-00001-DY	Keeper Plate	2
8	9306-18000-DX	Lock Washer Ø18	4
9	9301-18000-DX	Flat Washer Ø18	4
10	9201-18000-DX	Hex Nut M18	4
11	LSH22-00003-DX	Wedge Pin	1
12	9404-04040-DX	Cotter Pin 4x40	3
13	LSH22-00008	Hydraulic Hose (Valve-Pump)	1
14	9301-10000-DX	Flat Washer Ø10	9
15	LSH22-00007	Hydraulic Hose (Valve-Oil Tank)	1
16	9404-03030-DX	Cotter Pin Ø3x30	2
17	LSP25-00009-DX	Axle Cap	2
18	9302-10000-DX	Big Flat Washer Ø10	4
19	LSP25-00025	Block	4
20	LSH22-00004-DX	Valve A Joiner	1
21	9902-14000	Combination Washer Ø14	4
22	LSH22-00005-DX	Bolt Connector	2
23	LSH22-00006	Hydraulic Hose (Valve-Cylinder)	1
24	LSH22-06000	Cylinder	1
25	9301-20000-DX	Flat Washer Ø20	2
26	N021-00004-DX	R Pin	2
27	LSP25-00003-DX	Spring	2
28	LSP25-10008-FH	Steel Wire Snap Ring for shaft	1
29	LSP25-00008-DX	Safety Pin	2
30	LSH22TW-01000	Tow Bar	1
31	9101-12040-DX8.8	Hex Bolt M12x40	4
32	9206-10000-DX	Nylon Lock Nut M10	14
33	9306-10000-DX	Lock Washer Ø10	10
34	LSA22-15000	Rear Support Leg	1
35	LSA22-16000	Hitch Pin	1
36	9101-10075-DX8.8	Hex Bolt M10x75	1
37	LSA22-00015	Hinge Pin	1
38	LSH22-05000	Hitch Pin II	1

Ref#	Drawing No.	Description	Qty
39	LSH22-03000	Oil Tank	1
40	9101-12090-DX8.8	Hex Bolt M12x90	1
41	LSA22-13000	Safety Chain with Hook	2
42	9304-62000-FH	Steel Wire Snap Ring for shaft	1
43	9101-08020-DX8.8Q	Hex Bolt M8x20	1
44	9101-08025-DX8.8 YZ01-08025-DX8.8	Hex Bolt 8x25	4
45	9301-08000-DX	Flat Washer Ø8	12
46	9306-08000-DX	Lock Washer Ø8	12
47	LSP25-10007	Gear Pump	1
48	9101-08075-DX8.8	Hex Bolt M8x75	4
49	9201-08000-DX	Hex Nut M8	1
50	9901-14x2.5	O Ring Ø14x2.5	2
51	LSP25-14000	Wheel / Tire Assembly	2
52	9404-04036-DX	Cotter Pin 4x36	2
53	LSP25-10001	Engine 6.5HP (not include)	1
54	LSH22-07000	Small Chain	1
55	LSA22-00009-DX	Front Cover Connector	1
56	LSH22-06009	Piston Rod Joint	1
57	9206-08000-DX	Lock Nut M8	12
58	9306-12000-DX	Lock Washer Ø12	12
59	LSH22-08001-DX	Angle Connector	1
60	LSH22-00011	Oil Pipe	1
61	9901-11.2*2.4	O ring 11.2x2.4	1
62	919901-08035-DX	Screw M8x35	4
63	LSP25-10003-FH	Gear Pump Connector	1
64	LSP25-10005	Gear Pump Stand	1
65	LSP25-10002-FH	Engine Connector	1
66	LSP25-10004-DX	Engine Bushing	1
67	9206-12000-DX	Nylon Lock Nut M12	7
68	939902-12000-DX	Thick Flat Washer Ø12	2
69	LSP25-15000-DX	Filter Fix Plate	1
70	LSP25-00021	Rubber Washer	1
71	LSP25-00022	Filter	1
72	LSA22-17000	Left Protection Fender	1
73	9101-10030-DX8.8	Hex Bolt M10x30	6
74	LSA22-18000	Right Protection Fender	1
75	9101-06020-DX8.8	Hex Bolt M6x20	6
76	9306-06000-DX	Lock Washer Ø6	6

Ref#	Drawing No.	Description	Qty
77	9301-06000-DX	Flat Washer Ø6	6
78	LSP25-00011	Clamp	2
79	9901-16x2.5	O Ring Ø16x2.5	1
80		Flat Key	1
81		Flat Key 5x25	1
82	LSP25-13000	Oil Bolt	1
83	9101-10050-DX8.8	Hex Bolt M10x50	2
84	LSH22-00012-DX	Oil Return Pipe Connector	1
85	LSP25-00010	Oil Plug	1
86	9101-05010-DX8.8Q	Hex Bolt M5x10	4
87	LSP25-10006	Connector Cover	1
88	LSP25-00020-FH	Slotted Nut M20	2
89	N280-00043-FH	Adjustable Washer C	
90	9101-08030-DX8.8Q	Hex Bolt M8x30	4
91	LSP25-17001	Composite B Connector	1
92	LSP25-17002	Nut	1
93	LSA22-00025	Plate	1
94	9110-08010-DX	Screw M8x10	4
95	LSA22-09000	Control Valve	1
96	Z105	50mm Coupler	1
97	9101-120130-DX8.8	Hex Bolt M12x130	2
98	LSE20-07001	Handle Ball	1
99	NS10-02002	Jockey Wheel Handle Bushing	1
100	9402-05030-FH	Round Pin	1
101	9201-10000-DX	Hex Nut M10	1
102	LST37-00013	Jockey Wheel Handle	1
103	LST37-08000	Outer Bushing	1
104	9101-06060-DX	Hex Bolt M6x60	1
105	9206-06000-DX	Nylon Lock Nut M6	1
106	9608-51102	Thrust Ball Bearing	1
107	NS10-02001	Lift Screw	1
108	LST37-09000	Lift Tube	1
109	LSA22-00021	Rubber Washer 2	6
110	LST37-14000	8" Caster Wheel	1
111	9101-10025-DX	Hex Bolt M10x25	4
112	Z242-00001	Wood Tray	1
113	Z242-01000	Square Tube L.H.	1
114	Z242-02000	Square Tube R.H.	1
115	Z242-00002	Wood Tray Frame	2