

# **RedGum GX200 Series-II Log Splitter**

## **Illustrated Parts Listing (IPL)**

# **RedGum** Products

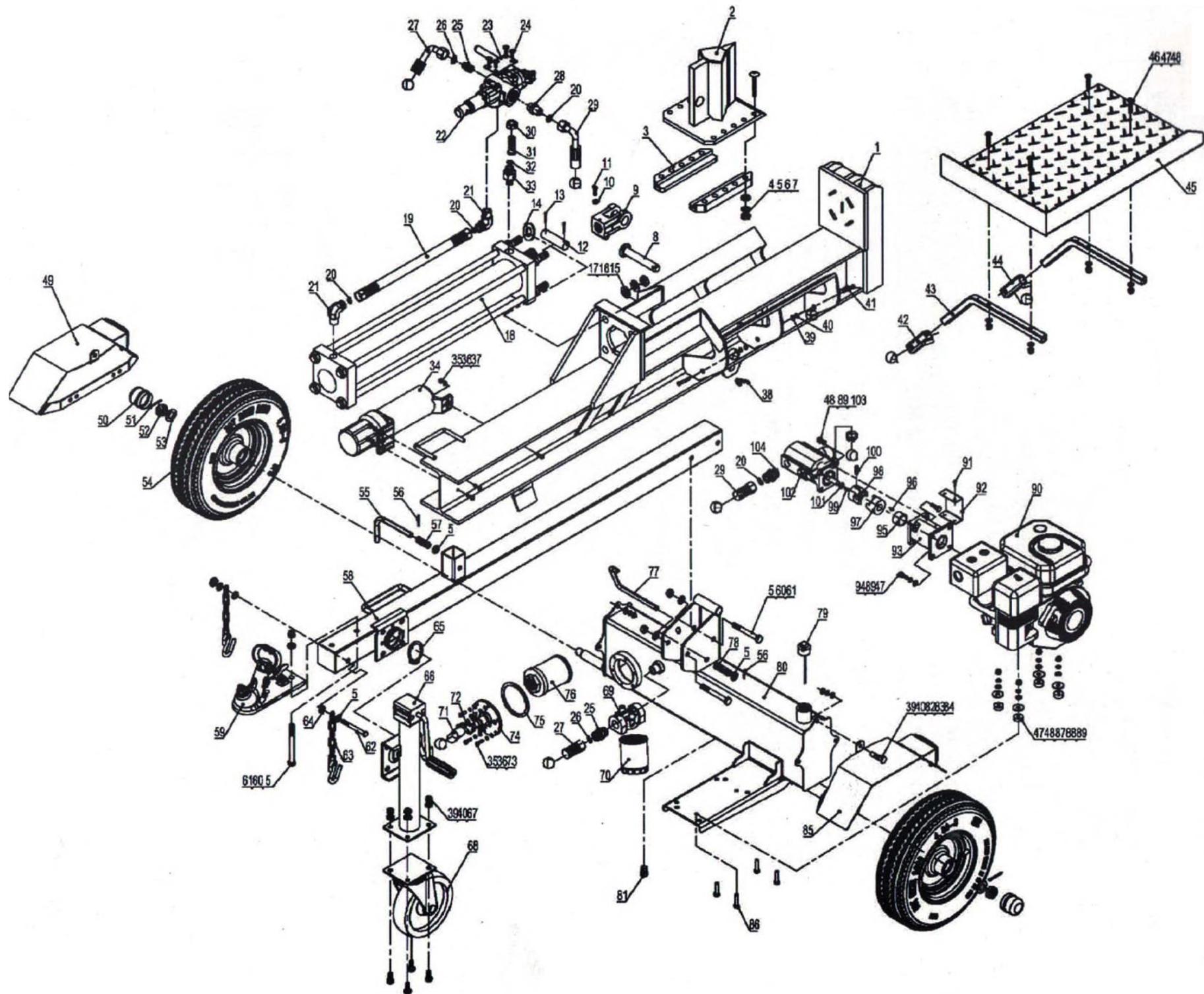
**For more information contact your local RedGum Dealer**

**Visit: [www.RedGumProducts.com.au](http://www.RedGumProducts.com.au)**

**Phone: 1300 039 251**



Follow us on Facebook: [www.facebook.com/redgumproducts](http://www.facebook.com/redgumproducts)



## Parts Drawing & Parts List

Ref#	Drawing No.	Description	Qty
1	LSH2200-01000	Beam Weldment	1
2	LSH2200-02000	Wedge	1
3	LSA22-03001	Keeper Spacer	2
4	9117-12055-DX10.9	Screw M12x55	10
5	9301-12000-DX	Flat Washer Ø12	18
6	9306-12000-DX	Lock Washer Ø12	10
7	9210-12000-DX	Hex Thick Nut M12	10
8	LSP25-05000	Hitch Pin	1
9	LSH22-06009	Piston Head Joint	1
10	9201-08000-DX	Hex Nut M8	1
11	9101-08020-DX8.8Q	Hex Bolt M8x20	1
12	LSH22-00003-DX	Wedge Pin	1
13	9404-04040-DX	Cotter Pin Ø4x40	2
14	N280-00043-FH	Adjusting Washer C	/
15	9301-18000-DX	Flat Washer Ø18	4
16	9306-18000-DX	Lock Washer Ø18	4
17	9201-18000-DX	Hex Nut M18	4
18	LSH2200-04000	Cylinder	1
19	LSH2200-00002	Hydraulic Hose (Valve-Cylinder)	1
20	9901-11×2.5	O Ring Ø11x2.5	4
21	LNS22-00003	Angle Connector	2
22	LSH2200-05000	Control Valve	1
23	LSA22-00025	Plate	1
24	9110-08010-DX	Screw M8x10	4
25	LSH22-00012-DX	Oil Return Connector	2
26	9901-14×2.5	O Ring Ø14x2.5	2
27	LSH22-00007	Hydraulic Hose (Valve-Oil Return Filter)	1
28	LSH2200-00006	Connector	1
29	LSH2200-00003	Hydraulic Hose (Valve-Pump)	1
30	LSP25-17002-DX	Nut	1
31	LSP25-17001-DX	Valve B Connector	1
32	9901-16*2.5	O Ring Ø16x2.5	1
33	LSA22-00009-DX	Cylinder Head Connector	1
34	LSP30MD-02000	Manual Canister	1
35	9101-06020-DX8.8	Hex Bolt M6x20	9

## Parts Drawing & Parts List

Ref#	Drawing No.	Description	Qty
36	9301-06000-DX	Flat Washer Ø6	9
37	9206-06000-DX	Nylon Lock Nut M6	3
38	LSP25-00012-DX	R Pin	1
39	9206-10000-DX	Nylon Lock Nut M10	12
40	9301-10000-DX	Flat Washer Ø10	12
41	9101-10050-DX8.8	Hex Bolt M10x50	2
42	Z242-01000	Square Tube (Left)	1
43	Z242-00002	Table Stand	2
44	Z242-02000	Square Tube (Right)	1
45	Z242-00001	Log Table	1
46	919901-08035-DX	Screw M8x35	4
47	9301-08000-DX	Flat Washer Ø8	12
48	9206-08000-DX	Nylon Lock Nut M8	12
49	LSA22-17000	Left Fender	1
50	LSP25-00009	Axle Cap	2
51	9404-04036-DX	Cotter Pin Ø4x36	2
52	LSP25-00020-FH	Hex Slotted Nut M20	2
53	9301-20000-DX	Flat Washer Ø20	2
54	LSP25-14000	Wheel	2
55	LSP25-00008-DX	Safety Pin	1
56	9404-03030-DX	Cotter Pin Ø3x30	2
57	LSP25-00003-DX	Spring	1
58	LST3000-04000	Tow Bar	1
59	Z105	Coupling	1
60	9101-12100-DX8.8	Hex Bolt M12x100	4
61	9206-12000-DX	Nylon Lock Nut M12	5
62	9101-12110-DX8.8	Hex Bolt M12x110	1
63	LSP25-11000-DX	Chain with Hook	2
64	939902-12000-DX	Thick Flat Washer Ø12	2
65	9304-62000-FH	Circlips for Shaft Ø62	1
66	LST3000-05000	Front Support Leg	1
67	9101-10025-DX	Hex Bolt M10x25	4
68	LST3000-06000	6" Caster	1
69	LSP25-09001	Aluminum Base	1
70	LSP25-09002	Filter	1

## Parts Drawing & Parts List

Ref#	Drawing No.	Description	Qty
71	LSH2200-00001	Oil Pipe	1
72	LSP25-00011-BXG	Clamp	2
73	9306-06000-DX	Lock Washer Ø6	6
74	LSP25-15000-DX	Filter Mounting Plate	1
75	LSP25-00021	Rubber Washer	1
76	LSP25-00022	Oil Filter	1
77	LSE22-00007	Safety Pin	1
78	LSE22-00008	Spring	1
79	LSP25-13000	Oil Bolt	1
80	LSH2200-03000	Oil Tank	1
81	LSP25-00010-DX	Oil Plug	1
82	9101-10030-DX8.8	Hex Bolt M10x30	6
83	LSA22-00021	Rubber 2	6
84	9306-10000-DX	Lock Washer Ø10	6
85	LSA22-18000	Right Fender	1
86	9101-08065-DX8.8	Hex Bolt M8x65	4
87	LSP25-00025	Polyurethane Block	4
88	9302-10000-DX	Large Flat Washer Ø10	4
89	9306-08000-DX	Lock Washer Ø8	12
90	LSP25-10001	Engine (not include)	1
91	9101-05010-DX8.8Q	Hex Bolt M5x10	4
92	LSP25-10006	Coupling Guard	1
93	LSP25-10005	Gear Pump Stand	1
94	9101-08025-DX8.8	Hex Bolt M8x25	4
95	LSP25-10004-DX	Engine Bushing	1
96	/	5x25 Flat Key	1
97	LSP25-10002-FH	Engine Coupling	1
98	LSP25-10003-FH	Gear Pump Coupling	1
99	/	Flat Key	1
100	9121-06010-FH	Screw M6x10	1
101	LSP25-10008-FH	Steel Wire Snap Ring for Shaft	1
102	LSP2501-07001	Gear Pump13/1.8	1
103	9101-08030-DX8.8Q	Hex Bolt M8x30	4
104	LSH22-08001	Connector	1