

**RedGum Little Aussie Log Splitter
(Post-2017 model)
Illustrated Parts Listing (IPL)**

RedGum Products

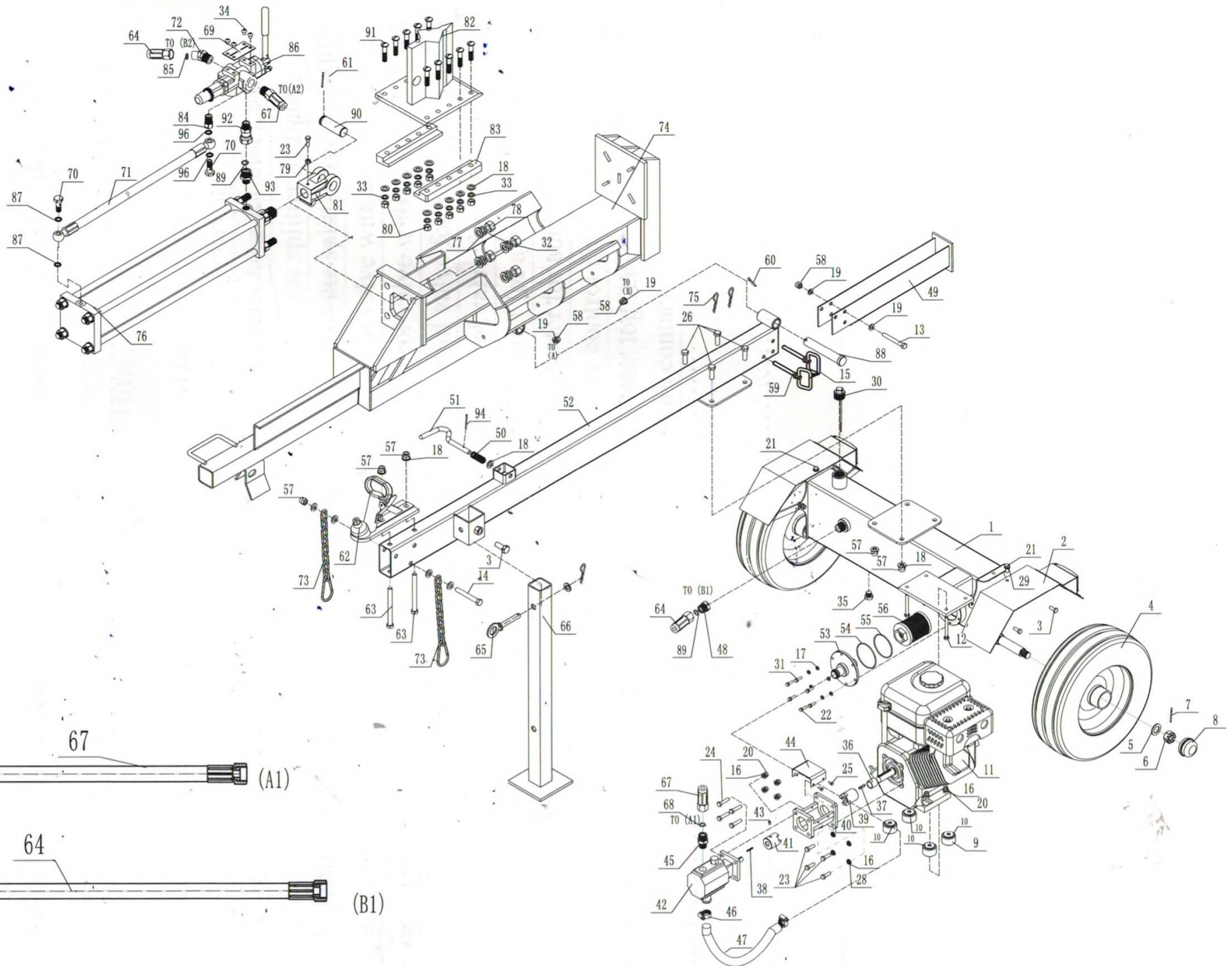
For more information contact your local RedGum Dealer

Visit: www.RedGumProducts.com.au

Phone: 1300 039 251



Follow us on Facebook: www.facebook.com/redgumproducts



(A2) 67 (A1)

64 (B1)

Parts Drawing & Parts List

| Ref# | Drawing No. | Description | Qty |
|------|----------------|----------------------------------|-----|
| 1 | HZ01001-01-100 | Oil Tank | 1 |
| 2 | HZTY-042-000 | Right and Left Protection Fender | 2 |
| 3 | GB/T5783-2000 | Hex bolt M10×25 | 5 |
| 4 | HZTY-070-001 | Tire/Wheel | 2 |
| 5 | GB/T 95-2002 | Flash Washer Ø20 | 2 |
| 6 | GB/T 6181-1986 | Hex Slotted Nut M20×1.5 | 2 |
| 7 | GB/T 91-2000 | Cotter Pin d4×40 | 2 |
| 8 | HZTY-070-002 | Axle Cap | 2 |
| 9 | HZTY-051 | Shock Pad Ø40×25 | 4 |
| 10 | GB/T5287-1985 | Big Flat Washer Ø8 | 4 |
| 11 | HZTY-068 | Engine | 1 |
| 12 | GB/T5782-2000 | Hex Bolt M8×70 | 4 |
| 13 | GB/T5782-2000 | Hex Bolt M10×80 | 1 |
| 14 | GB/T5782-2000 | Hex Bolt M12×90 | 1 |
| 15 | HZTY-080 | Hitch Pin | 1 |
| 16 | GB/T95-2002 | Flat Washer Ø8 | 12 |
| 17 | GB/T95-2002 | Flat Washer Ø6 | 6 |
| 18 | GB/T95-2002 | Flat Washer Ø12 | 21 |
| 19 | GB/T95-2002 | Flat Washer Ø10 | 10 |
| 20 | GB/T889.1-2000 | Nylon Lock Nut M8 | 8 |
| 21 | GB/T5783-2000 | Hex bolt M10×20 | 2 |
| 22 | GB/T5783-2000 | Hex bolt M6×20 | 6 |
| 23 | GB/T5783-2000 | Hex bolt M8×25 | 5 |
| 24 | GB/T5783-2000 | Hex bolt M8×30 | 4 |
| 25 | GB/T5783-2000 | Hex bolt M5×10 | 4 |
| 26 | GB/T5783-2000 | Hex bolt M12×35 | 4 |
| 27 | GB/T5783-2000 | Hex bolt M10×30 | 4 |
| 28 | GB/T 93-1987 | Spring Washer Ø8 | 4 |
| 29 | GB/T 93-1987 | Spring Washer Ø10 | 2 |
| 30 | HZTY-002-000 | Oil Plug | 1 |
| 31 | GB/T 93-1987 | Spring Washer Ø6 | 6 |
| 32 | GB/T 93-1987 | Spring Washer Ø18 | 4 |
| 33 | GB/T 93-1987 | Spring Washer Ø12 | 10 |
| 34 | GB/T70.2-2000 | Screw M8×10 | 4 |
| 35 | HZTY-003 | Drain Plug | 1 |
| 36 | HZTY-046 | Engine Spacer | 1 |

| Ref# | Drawing No. | Description | Qty |
|------|------------------|-----------------------------------|-----|
| 37 | GB/T 1096-2003 | Flat Key 5×5×25 | 1 |
| 38 | GB/T 1096-2003 | Flat Key 3×3×25 | 1 |
| 39 | HZTY-056 | Engine Connector | 1 |
| 40 | HZTY-075 | Gear Pump Bracket | 1 |
| 41 | HZTY-055 | Gear Pump Connector | 1 |
| 42 | HZTY-066 | Gear Pump | 1 |
| 43 | GB/T78-2000 | Hex Socket Set Screws M6×10 | 1 |
| 44 | HZTY-040 | Pump Bracket Cover | 1 |
| 45 | HZTY-062 | Gear Pump Joint | 1 |
| 46 | HZTY-067 | Clamp | 2 |
| 47 | HZTY-052 | Bottom Hose | 1 |
| 48 | HZ01004-02 | Joint (Hose-Tank) | 1 |
| 49 | HZTY-038-000 | Rear Support Leg | 1 |
| 50 | HZTY-037-002 | Spring | 1 |
| 51 | HZTY-037-003 | Safety Pin | 1 |
| 52 | HZ01004-05-000 | Tow Bar | 1 |
| 53 | HZTY-004-000 | Flange | 1 |
| 54 | GB/T 3452.1-2005 | O Ring Ø80×2.4 | 1 |
| 55 | GB/T 3452.1-2005 | O Ring Ø75×2.4 | 1 |
| 56 | HZTY-005 | Filter | 1 |
| 57 | GB/T889.1-2000 | Nylon Lock Nut M12 | 7 |
| 58 | GB/T889.1-2000 | Nylon Lock Nut M10 | 7 |
| 59 | HZTY-069 | Hitch Pin Ø10 | 1 |
| 60 | GB/T91-2000 | Cotter Pin d5×40 | 1 |
| 61 | GB/T91-2000 | Cotter Pin d5×50 | 1 |
| 62 | HZTY-065 | Coupler | 1 |
| 63 | GB/T5782-2000 | Hex bolt M12×130 | 2 |
| 64 | HZTY-058 | Hydraulic Hose (Valve-Oil Tank) | 1 |
| 65 | HZ01004-03 | Front Support Leg Pin | 1 |
| 66 | HZ01004-04-000 | Front Support Leg | 1 |
| 67 | HZTY-059 | Hydraulic Hose (Pump-Valve) | 1 |
| 68 | GB/T 3452.1-2005 | O Ring Ø16×2.4 | 1 |
| 69 | HZTY-043 | Valve Operation | 1 |
| 70 | HZTY-063 | Bolt Connector M14×1.5 | 2 |
| 71 | HZTY-057 | Hydraulic Hose (Valve - Cylinder) | 1 |
| 72 | HZTY-073 | Obtuse Angle Joint M27×1.5 | 1 |

| Ref# | Drawing No. | Description | Qty |
|------|------------------|---------------------------|-----|
| 73 | HZTY-053 | Safety Chain with Hook Ø6 | 2 |
| 74 | HZ01004-01-000 | Beam | 1 |
| 75 | HZTY-054 | R Pin Ø3×55 | 4 |
| 76 | HZTY-039-000 | Cylinder | 1 |
| 77 | GB/T95-2002 | Flat Washer Ø18 | 4 |
| 78 | GB/T41-2000 | Hex Nut M18 | 4 |
| 79 | GB/T41-2000 | Hex Nut M8 | 1 |
| 80 | GB/T 41-2000 | Hex Nut M12 | 10 |
| 81 | HZTY-039-007 | Piston Rod Joint M30×2 | 1 |
| 82 | HZTY-041-000 | Wedge | 1 |
| 83 | HZTY-047 | Wedge Platen | 2 |
| 84 | HZTY-064 | Joint (Valve-Hose) | 1 |
| 85 | GB/T 3452.1-2005 | O Ring Ø22×2.4 | 1 |
| 86 | HZTY-072 | Control Valve | 1 |
| 87 | HZTY-0050 | Wood Tray | 1 |
| 88 | HZTY-045 | Hitch Pin | 1 |
| 89 | GB/T 3452.1-2005 | O Ring Ø20×2.4 | 2 |
| 90 | HZTY-044 | Wedge Pin | 1 |
| 91 | HZTY-076 | Screw M12×55 | 10 |
| 92 | HZTY-074 | Straight Joint | 1 |
| 93 | HZTY-061 | Cylinder Joint | 1 |
| 94 | GB/T91-2000 | Cotter Pin d3.2×25 | 2 |