

RedGum GP200 Silver Plus Lifter-Splitter

Illustrated Parts Listing (IPL)

RedGum Products

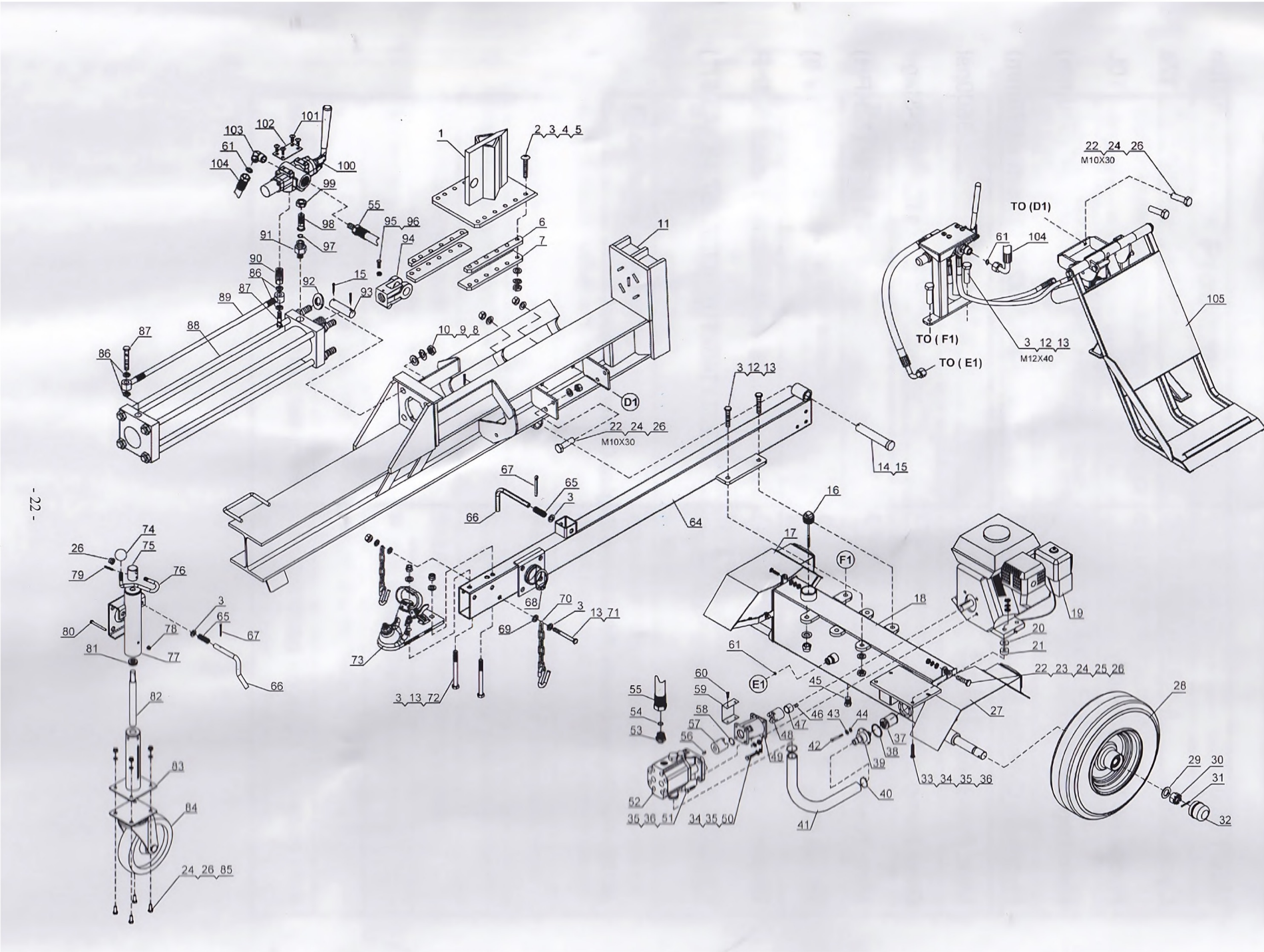
For more information contact your local RedGum Dealer

Visit: www.RedGumProducts.com.au

Phone: 1300 039 251



Follow us on Facebook: www.facebook.com/redgumproducts



Parts Drawing & Parts List

Ref#	Drawing No.	Description	Qty
1	LSH22-01000	Beam Weldment	1
2	9117-12055-DX10.9	Screw M12x55	12
3	9301-12000-DX	Flat Washer Ø12	24
4	9306-12000-DX	Lock Washer Ø12	12
5	9210-12000-DX	Thick Nut M12	12
6	LSH22-00002-DY	Keeper Spacer	2
7	LSH22-00001-DY	Keeper Plate	2
8	9306-18000-DX	Lock Washer Ø18	4
9	9301-18000-DX	Flat Washer Ø18	4
10	9201-18000-DX	Hex Nut M18	4
11	LST22F-01000	Beam	1
12	9101-12040-DX8.8	Hex Bolt M12x40	6
13	9206-12000-DX	Nylon Lock Nut M12	9
14	LSA22-00015-DX	Hinge Pin	1
15	9404-04040-DX	Cotter Pin Ø4x40	3
16	LSP25-13000	Oil Bolt	1
17	LSA22-17000	Left Fender	1
18	LST22F-03000	Oil Tank	1
19	LSP25-10001	Engine	1
20	9302-10000-DX	Big Flat Washer Ø10	4
21	LSP25-00025	Polyurethane Block	4
22	9101-10030-DX8.8	Hex Bolt M10x30	10
23	LSA22-00021	Rubber Washer 2	6
24	9301-10000-DX	Flat Washer Ø10	14
25	9306-10000-DX	Lock Washer Ø10	6
26	9206-10000-DX	Nylon Lock Nut M10	15
27	LSA22-18000	Right Fender	1
28	LSP25-14000	Wheel	2
29	9301-20000-DX	Flat Washer Ø20	2
30	LSP25-00020-FH	Hex Slot Thin Nut M20	2
31	9404-04036-DX	Cotter Pin Ø4x36	2
32	LSP25-00009-DX	Axle Cap	2
33	9101-08075-DX8.8	Hex Bolt M8x75	4
34	9301-08000-DX	Flat Washer Ø8	8
35	9306-08000-DX	Lock Washer Ø8	12
36	9206-08000-DX	Nylon Lock Nut M8	8
37	LSP25-00022	Oil Filter	1

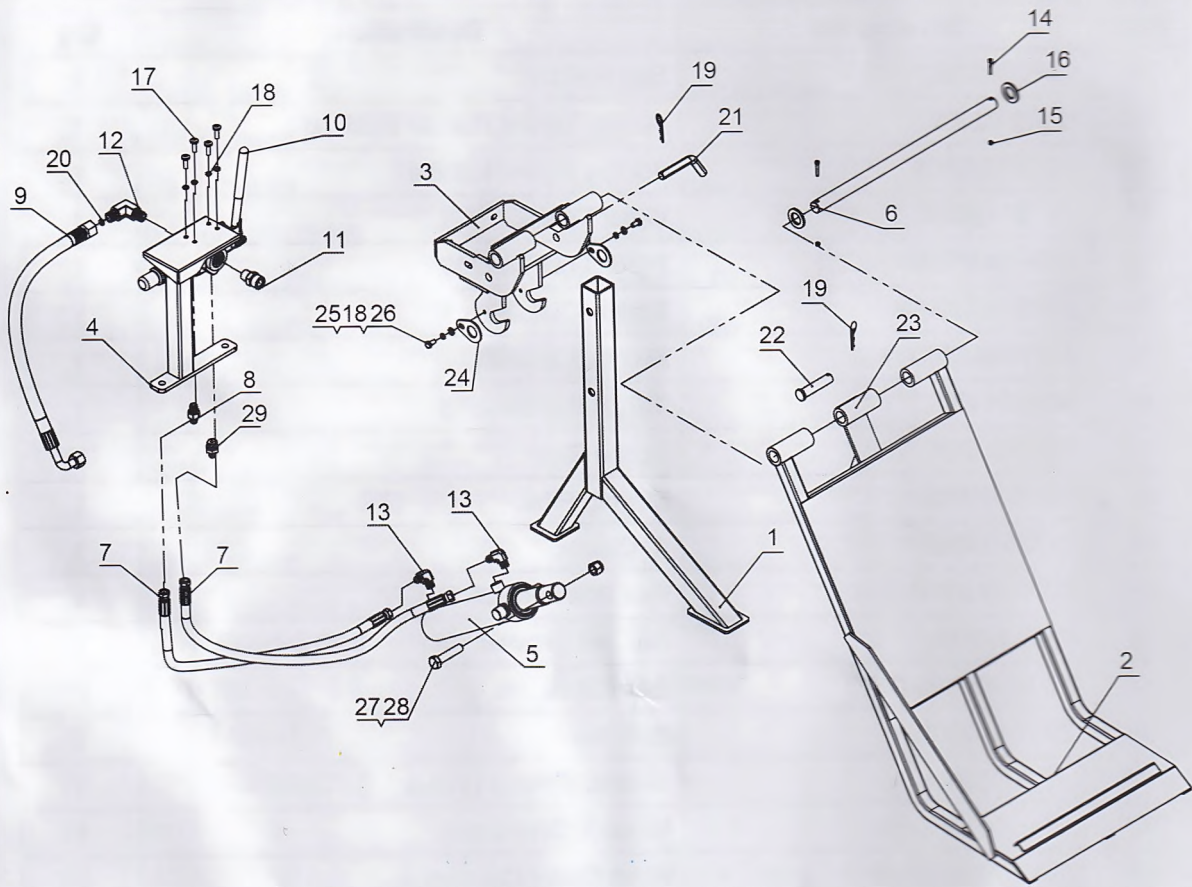
Parts Drawing & Parts List

Ref#	Drawing No.	Description	Qty
38	LSP25-00021	Rubber Washer	1
39	LSP25-15000-DX	Oil Filter Mounting Plate	1
40	LSP25-00011	Clamp	2
41	LSH22-00011	Hydraulic Hose	1
42	9101-06020-DX8.8	Hex Bolt M6x20	6
43	9306-06000-DX	Lock Washer Ø6	6
44	9301-06000-DX	Flat Washer Ø6	6
45	LSP25-00010	Oil Plug	1
46		Flat Key	1
47	LSP25-10004-DX	Engine Bushing	1
48	LSP25-10002-FH	Engine Coupler	1
49	LSP25-10005	Gear Pump Stand	1
50	9101-08025-DX8.8 YZ01-08025-DX8.8	Hex Bolt M8x25	4
51	9101-08030-DX8.8	Hex Bolt M8x30	4
52	LSP25-10007	Gear Pump	1
53	LSH22-08001-DX	Connector	1
54	9901-11*2.5	O Ring Ø11x2.5	1
55	LST22F-00001	Hydraulic Hose (Valve – Gear Pump)	1
56		Flat Key	1
57	LSP25-10003-FH	Gear Pump Coupler	1
58	LSP25-10008-FH	Circlip for Shaft	1
59	LSP25-10006	Coupler Cover	1
60	9101-05010-DX8.8	Hex Bolt M5x10	4
61	9901-14x2.5	O Ring 14x2.5	3
64	LST22F-02000	Tow Bar	1
65	LSP25-00003-DX	Spring	2
66	LSP25-00008-DX	Safety Pin	2
67	9404-03030-DX	Cotter Pin Ø3x30	2
68	9304-62000-FH	Steel Wire Snap Ring for Shaft Ø62	1
69	939902-12000-DX	Thick Flat Washer Ø12	2
70	LSA22-13000	Hook Chain	2
71	9101-12090-DX8.8	Hex Bolt M12x90	1
72	9101-12130-DX8.8	Hex Bolt M12x130	2
73	Z105	50mm Coupler	1

Parts Drawing & Parts List

Ref#	Drawing No.	Description	Qty
74	LSE20-07001	Ball Handle	1
75	NS10-02002	Jockey Wheel Handle Bushing	1
76	LST37-00013	Jockey Wheel Handle	1
77	LST37-08000	Outer Sleeve	1
78	9206-06000-DX	Nylon Lock Nut M6	1
79	9402-05030-FH	Elastic Cylindrical Pin	1
80	9101-06060-DX8.8	Hex Bolt M6x60	1
81	9608-51102	Thrust Ball Bearing	1
82	NS10-02001	Screw Rod	1
83	LST37-09000	Moving Pipe	1
84	LST37-14000	8" Caster	1
85	9101-10025-DX8.8	Hex Bolt M10x25	4
86	9902-14000	Bonded Washer	4
87	LSH22-00005-DX	Bolt Connector	2
88	LSH22-06000	Cylinder	1
89	LSH22-00006	Hydraulic Hose (Valve – Oil Tank)	1
90	LSH22-00004-DX	Valve A Connector	1
91	LSA22-00009-DX	Front Cover Connector	1
92	N280-00043-FH	Adjustable Washer C	
93	LSH22-00003-DX	Wedge Pin	1
94	LSH22-06009	Piston Rod Connector	1
95	9101-08020-DX8.8	Hex Bolt M8x20	1
96	9201-08000-DX	Hex Nut	1
97	9901-16x2.5	O Ring Ø16x2.5	1
98	LSP25-17001	Valve B Connector	1
99	LSP25-17002	Nut	1
100	LSA22-09000	Control Valve	1
101	9110-08010-DX	Screw M8x10	4
102	LSA22-00025	Plate	1
103	LSG22-00005-DX	130° Joint	1
104	LST37F-00001	Hydraulic Hose (Valve – Valve)	1
105	LST37F-04000	Lifting Table	1

Parts Drawing & Parts List for Lifting Table



Parts Drawing & Parts List for Lifting Table

Ref#	Drawing No.	Description	Qty
1	LST37F-04100	Support Leg	1
2	LST37F-04200	Lifting Table	1
3	LST37F-04300	Connecting Frame	1
4	LST37F-04400	Valve Mounting Plate	1
5	LST37F-04500	Lift Cylinder	1
6	LST37F-04001	Hinge Pin	1
7	LST37F-04002	Hydraulic Hose	2
8	LST37F-04700	Connector	1
9	LST37F-04004	Hydraulic Hose (Valve – Oil Tank)	1
10	LSA22-09000	One-Way Single Handle Control Valve	1
11	LSE22-00005-DX	Connector	1
12	LST37-00012	Angle Connector	1
13	N900-00012	Multi-way Valve Outlet Connection	2
14	9105-05030-DX8.8	Screw M5x30	2
15	9206-05000-DX	Nylon Lock Nut M5	2
16	9301-24000-DX	Washer	2
17	9110-08025-DX	Screw M8x25	4
18	9306-08000-DX	Lock Washer Ø8	6
19	LSP25-00012-DX	R Pin	2
20	9901-14x2.5	O Ring Ø14x2.5	1
21	LST37F-04005	Bolt	1
22	LST37F-04007	Safety Pin	1
23	LST37F-04600	Lift Arm	1
24	LST37F-04006	Safety Piece	2
25	9301-08000-DX	Flat Washer Ø8	2
26	9101-08016-DX8.8	Hex Bolt M8x16	2
27	9206-16000-DX	Nylon Lock Nut M16	1
28	9101-16070-DX8.8	Hex Bolt M16x70	1
29	N920-00010	Connector Z1/2-M14X1.5	1